

IMAGE



XLT
SmartSolutions™

MODEL

3240

H-version

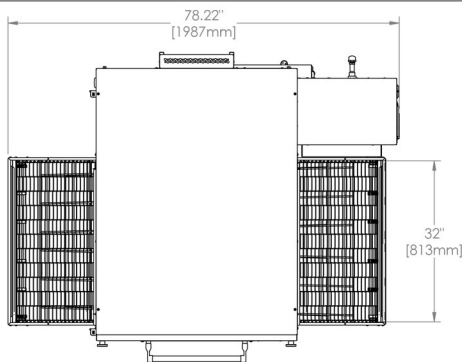
SIZE

**32" WIDE CONVEYOR
40" LONG BAKE CHAMBER**

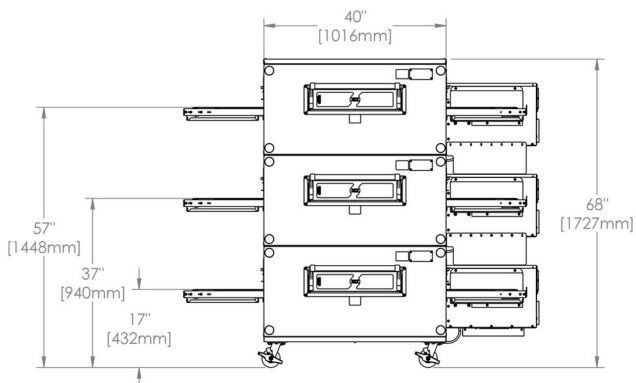
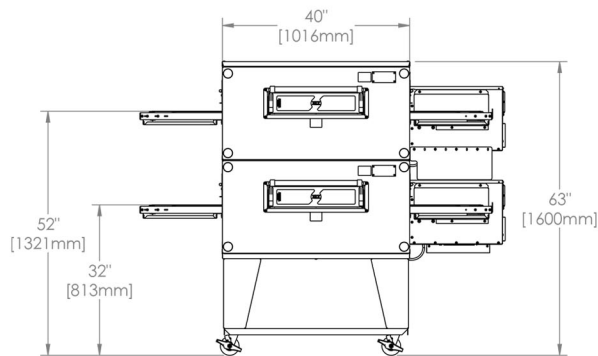
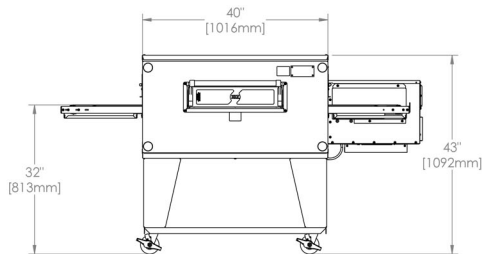
TYPE

GAS & ELECTRIC

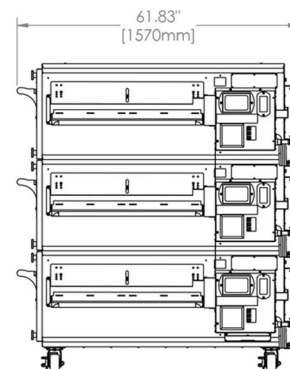
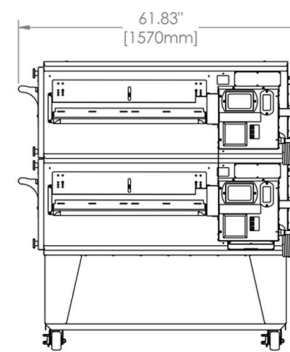
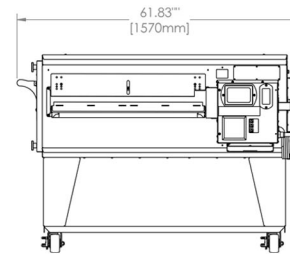
TOP VIEW



FRONT VIEWS



SIDE VIEWS



3240

MODEL

H-version



DATA SHEET

3240H GAS OVEN

Heating Value

Standard	World		
	Natural	Propane	Butane
125,000 BTU/Hr	36.60 Kw/Hr	36.60 Kw/Hr	39.50 Kw/Hr
	131.88 Mj/Hr	131.88 Mj/Hr	

Electrical Requirement

Standard	World
120 VAC, 4.8 Amps, 50/60 Hz	220/230/240 VAC Option, 3 Amps, 50/60 Hz

Inlet Pressure Range

	W/C	mbar	kPa	kPa (Korea)
Natural Gas	6-14	15-35	1.50 - 3.50	1.50 - 2.50
Propane Gas	11 - 14	27.5 - 35	2.75 - 3.50	2.30 - 3.30

Manifold Pressure Range

	W/C	mbar	kPa
Natural Gas	3.5	8.75	0.875
Propane Gas	10	25	2.50

Oven Weight

	Single (1 crate)		Double (2 crates)		Triple (3 crates)	
	lbs	kg	lbs	kg	lbs	kg
Oven Only	817	371	1483	673	2005	909

3240H ELECTRIC OVEN

Electrical Requirement

	Standard	World
VAC	208/240 VAC	380/415 VAC
Amps	82/65 Amps	51/44 Amps
Hz	60 Hz	50 Hz
Wire Service	4 Wire Service - L1, L2, L3 +1 Ground (per oven)	5 Wire Service - L1, L2, L3 N+2 Grounds (per oven)
Phase	3 Phase	3 Phase
Kw	27 Kw	27/31 Kw

Oven Weight

	Single (1 crate)		Double (2 crates)		Triple (3 crates)	
	lbs	kg	lbs	kg	lbs	kg
Oven Only	843	382	1533	695	2185	991

OVEN & HOOD WARRANTY

USA & Canada (Parts & Labor)	International (Parts & Labor)
10 Years Oven & Hood Combo Purchase*	7 Years Oven & Hood Combo Purchase
7 Years Standard	5 Years Standard

*Pre-piped ANSUL system must be purchased on each oven and hood



(316) 943-2751
SALES@XLTOVENS.COM
SERVICE@XLTOVENS.COM

WWW.XLTOVENS.COM
24/7/365 LIVE TECHNICAL SUPPORT

